

ALTERNATE "B"  
 (SEE SHEET P2)

REST ROOM  
 REST ROOM  
 EXIST. MEP

DOOR NUMBER:	DOOR NUMBER:	DOOR NUMBER:
100A	100B	100C
ARCH REF. 1/A1.2.0 4/A1.5.0 ASJ#2 DS/A1.9.0 DS/A1.9.0	ARCH REF. 1/A1.2.0 4/A1.5.0 ASJ#2 DS/A1.9.0 DS/A1.9.0	ARCH REF. 1/A1.2.0 4/A1.5.0 ASJ#2 DS/A1.9.0 DS/A1.9.0

EXTENDED SHOW AREA  
 118

AC  
 117

MEETING HALL  
 100

WOMENS 102  
 MENS 102

CORRIDOR 101  
 FAMILY 106  
 JANITOR 105  
 ELECTRICAL 104

STORAGE 107

KITCHEN 108

PANTRY 109

FAMILY 111  
 LT 112  
 RISER 113

CORRIDOR 110

WOMENS 115  
 MENS 114

STORAGE 121

OFFICE 122

BREAKOUT  
 120

DOOR NUMBER:
100D
ARCH REF. 1/A1.2.0 3/A1.5.0 DS/A1.9.0 DS/A1.9.0

DOOR NUMBER:
120D
ARCH REF. 1/A1.2.0 3/A1.5.0 DS/A1.9.0 DS/A1.9.0

DOOR NUMBER:
119
ARCH REF. 1/A1.2.0 3/A1.5.0 DS/A1.9.0 DS/A1.9.0

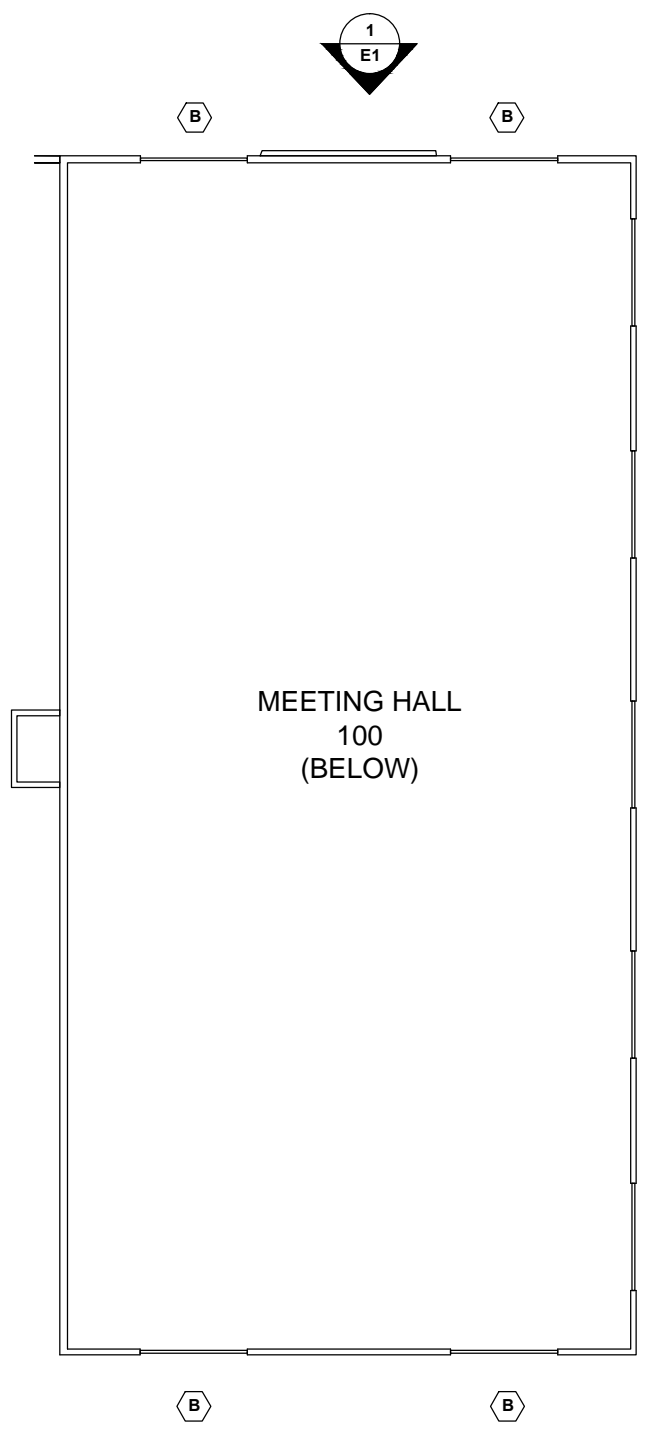


**FLOOR PLAN 1**

SCALE: NTS  
 ARCH REF: 1/A1.2.0  
 QUANTITY: TYPE A - 03  
 TYPE D5 - 06  
 DOOR #'S : 100A, 100B,  
 100C, 100D,  
 119, 120D

**FIRST FLOOR**

GLASS WALL SYSTEM(S):  
 OLDCASTLE FG-3000T THERMAL ALUMINUM  
 STOREFRONT  
 OLDCASTLE MSD-375 MEDIUM STILE  
 STANDARD ENTRANCE



MEETING HALL  
 100  
 (BELOW)

**FLOOR PLAN 2**

SCALE: NTS  
 ARCH REF: 1/A1.2.0  
 QUANTITY: TYPE B - 09

**CLEAR STORY ABOVE**

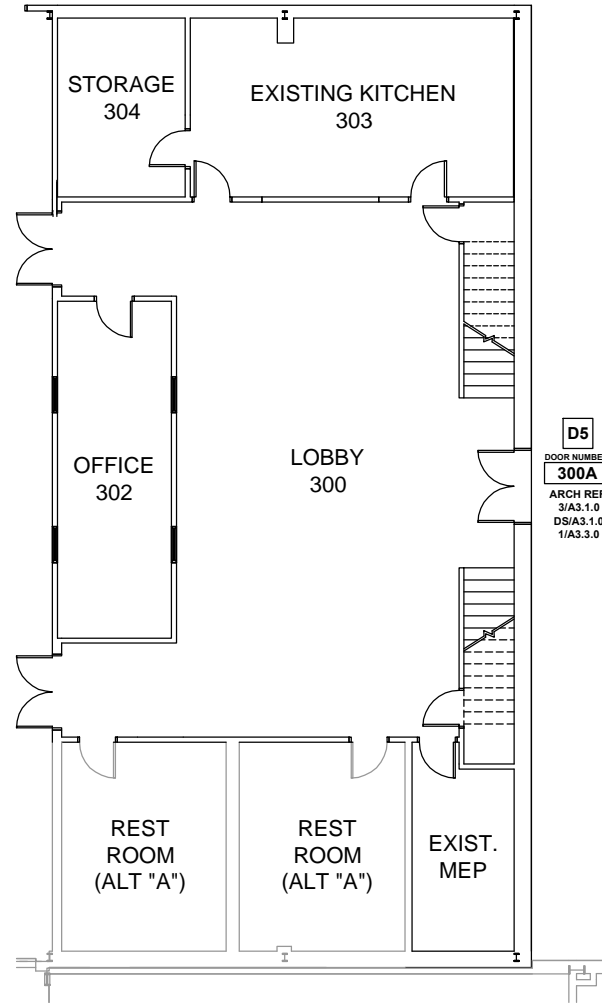
GLASS WALL SYSTEM(S):  
 OLDCASTLE FG-3000T THERMAL ALUMINUM  
 STOREFRONT

NO.	DATE	BY	DESCRIPTION
3	08/07/2020	fp	Revision to Include Architect's Supplementary Instructions (ASI) #2
2	07/28/2020	fp	Revision to Include Addendum "B"
1	06/26/2020	fp	First Submittal

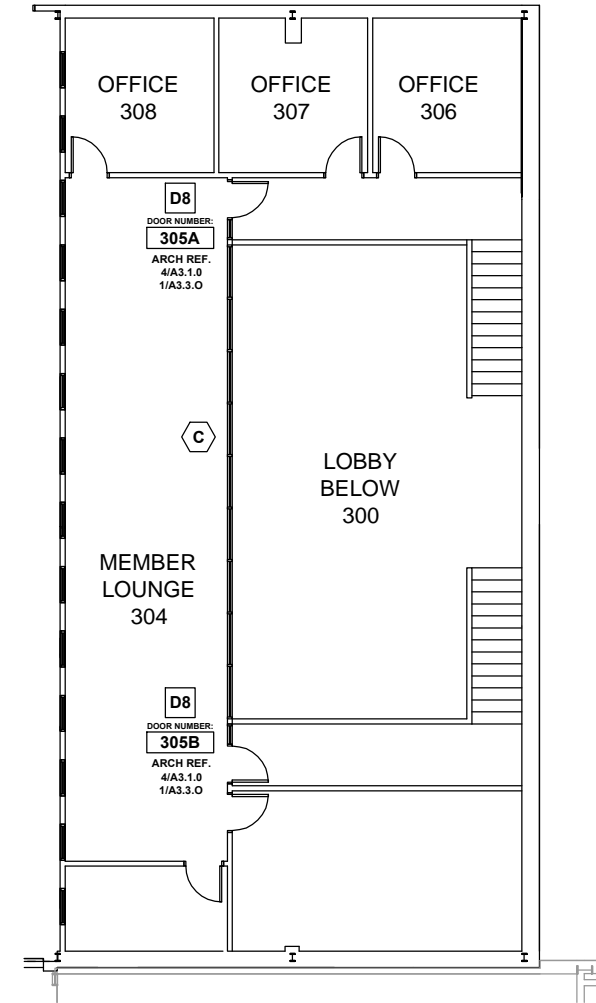
**SIX FLAGS GLASS**  
 108 E AIRLINE RD VICTORIA, TX 77901  
 (W) 361-573-9612 (F) 361-573-2334

PROJECT: FRIAR AG SHOW BARN, CUERO  
**NEW BUILDING**  
 ARCHITECT: TSC ARCHITECTS  
 (830) 672-7801  
 PROJECT: WEAVER & JONES  
 (817) 277-9300

PROJECT NO.	SFG-2003-02
DRAWN BY	fp
DATE	08-07-2020
SCALE	NTS
DRAWING	FLOOR PLANS
SHEET	P1



**FLOOR PLAN 1 ALTERNATE "B" - 1ST FLOOR**  
 SCALE: NTS  
 ARCH REF: 3/A3.1.0  
 QUANTITY: N/A  
 DOOR #S : 300A  
**GLASS WALL SYSTEM(S):**  
 OLDCASTLE FG-2000 ALUMINUM  
 STOREFRONT FRAMING



**FLOOR PLAN 2 ALTERNATE "B" - 2ND FLOOR**  
 SCALE: NTS  
 ARCH REF: 4/A3.1.0  
 QUANTITY: TYPE C - 01  
 DOOR #S : 305A, 305B  
**GLASS WALL SYSTEM(S):**  
 OLDCASTLE FG-2000 ALUMINUM  
 STOREFRONT FRAMING

NO.	DATE	BY	DESCRIPTION
3	08/07/2020	fp	Revision to Include Architect's Supplementary Instructions (ASI) #2
2	07/28/2020	fp	Revision to Include Addendum "B"
1	06/26/2020	fp	First Submittal

**SIX FLAGS GLASS**  
 108 E AIRLINE RD VICTORIA, TX 77901  
 (W) 361-573-9612 (F) 361-573-2334

PROJECT: FRIAR AG SHOW BARN, CUERO  
**NEW BUILDING**  
 ARCHITECT: TSC ARCHITECTS  
 (830) 672-7801  
 PROJECT: WEAVER & JONES  
 (817) 277-9300

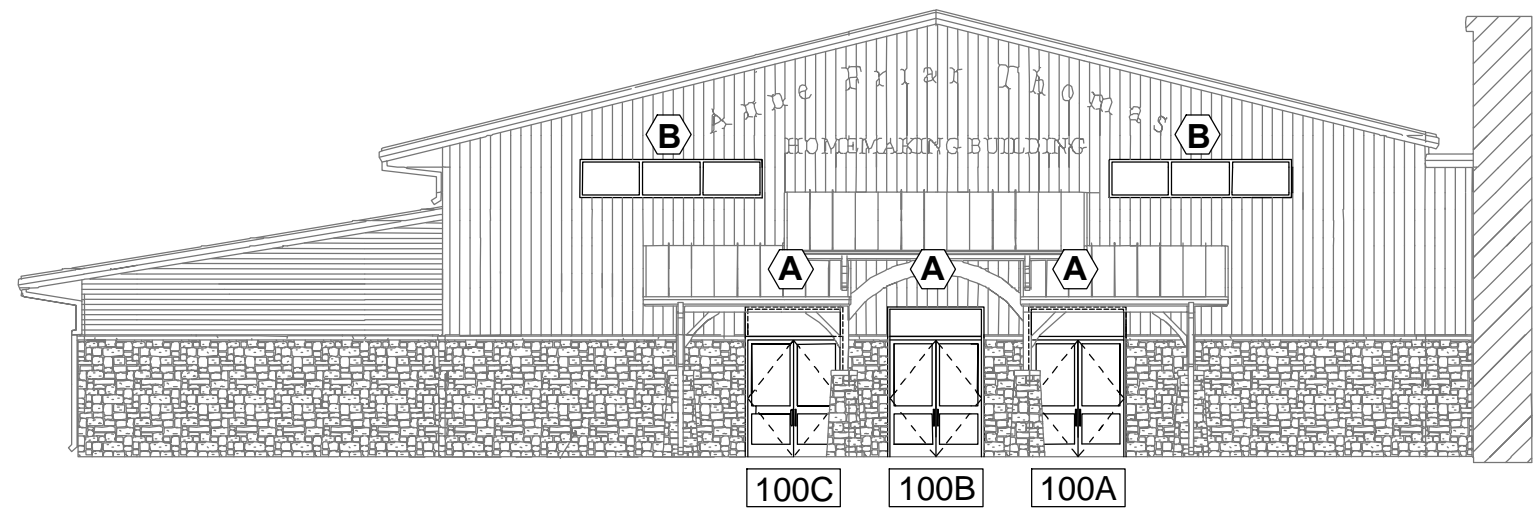
PROJECT NO.  
**SFG-2003-02**

DRAWN BY: fp DATE: 08-07-2020

SCALE: NTS

DRAWING: FLOOR PLANS

SHEET: P2



**ELEVATION**

QUANTITY: TYPE A: 03  
 TYPE B: 02  
 SCALE: 1/2" = 1'-0"  
 ARCH REF: 1/A1.2.0  
 4/A1.5.0  
 DOOR NUMBER(S): 100A, 100B, 100C



**1 NORTH ELEVATION**

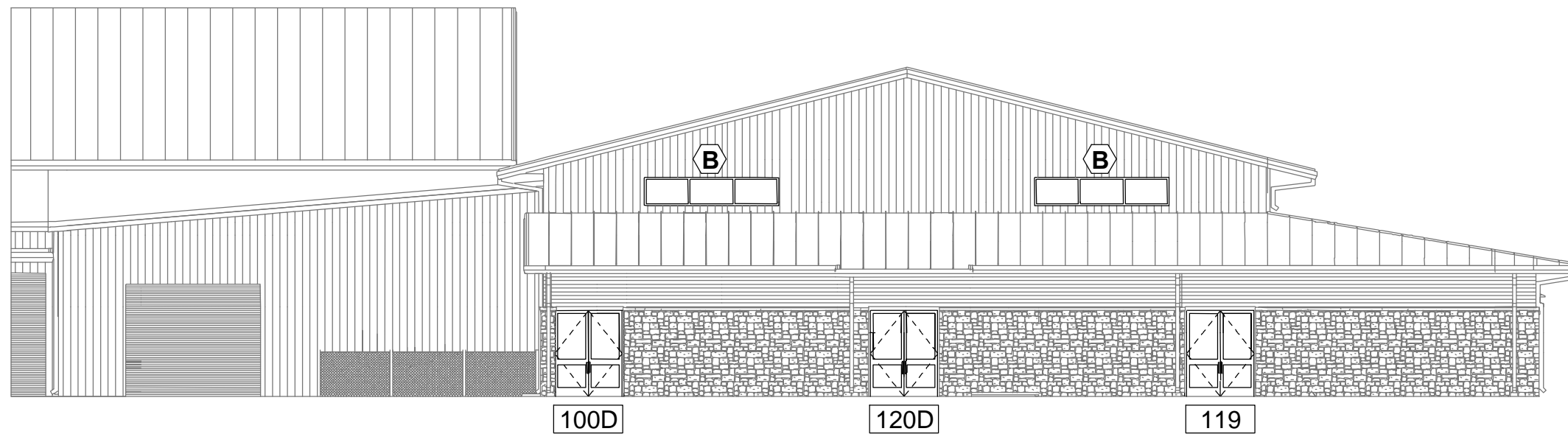
OLDCASTLE FG-3000T ALUMINUM STOREFRONT  
 OLDCASTLE MSD-375 MEDIUM STILE ENTRANCE

NO.	DATE	DESCRIPTION
3	08/07/2020	Revision to Include Archited's Supplementary Instructions (ASI) #2
2	07/28/2020	Revision to Include Addendum "B"
1	06/26/2020	First Submittal

**SIX FLAGS GLASS**  
 108 E AIRLINE RD VICTORIA, TX 77901  
 (W) 361-573-9612 (F) 361-573-2334

PROJECT: FRIAR AG SHOW BARN, CUERO  
**NEW BUILDING**  
 ARCHITECT: TSC ARCHITECTS  
 (830) 672-7801  
 PROJECT: WEAVER & JONES  
 (361) 277-9880

PROJECT NO. <b>SFG-2003-02</b>	
DRAWN BY <b>fp</b>	DATE <b>08-07-2020</b>
SCALE <b>NTS</b>	
DRAWING <b>ELEVATIONS</b>	
SHEET <b>E1</b>	



**ELEVATION**

QUANTITY: TYPE B: 02  
 SCALE: 1/2" = 1'-0"  
 ARCH REF: 1/A1.2.0  
 3/A1.5.0  
 DOOR NUMBER(S): 100D, 120D, 119



**1 SOUTH ELEVATION**

OLDCASTLE FG-3000T ALUMINUM STOREFRONT  
 OLDCASTLE MSD-375 MEDIUM STILE ENTRANCE

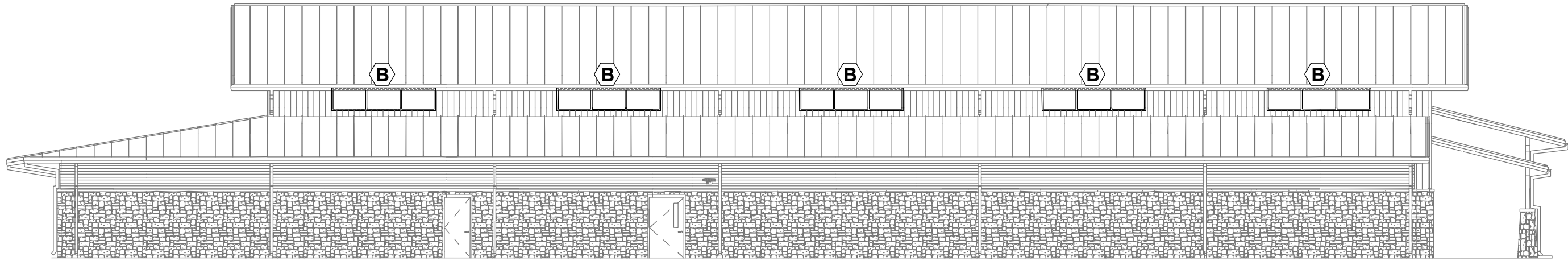
NO.	DATE	DESCRIPTION
3	08/07/2020	Revision to Include Architect's Supplementary Instructions (ASI) #2
2	07/28/2020	Revision to Include Addendum "B"
1	06/28/2020	First Submittal

**SIX FLAGS GLASS**  
 108 E AIRLINE RD VICTORIA, TX 77901  
 (W) 361-573-9612 (F) 361-573-2334

PROJECT: FRIAR AG SHOW BARN, CUERO  
**NEW BUILDING**  
 ARCHITECT: TSC ARCHITECTS  
 (830) 672-7801  
 PROJECT: WEAVER & JONES  
 (361) 277-9880

PROJECT NO. <b>SFG-2003-02</b>	
DRAWN BY <b>fp</b>	DATE <b>08-07-2020</b>
SCALE <b>NTS</b>	
DRAWING <b>ELEVATIONS</b>	
SHEET <b>E2</b>	

SUB	BY	DATE	DESCRIPTION
3	fp	08/07/2020	Revision to include Architect's Supplementary Instructions (ASI) #2
2	fp	07/28/2020	Revision to include Addendum "B"
1	fp	06/26/2020	First Submittal



**ELEVATION**

QUANTITY: TYPE B: 05  
 SCALE: 1/2" = 1'-0"  
 ARCH REF: 1/A1.2.0  
 1/A1.5.0  
 DOOR NUMBER(S): N/A



**1 EAST ELEVATION**

OLDCASTLE FG-3000T ALUMINUM STOREFRONT

**SIX FLAGS GLASS**  
 108 E AIRLINE RD VICTORIA, TX 77901  
 (W) 361-573-9612 (F) 361-573-2334

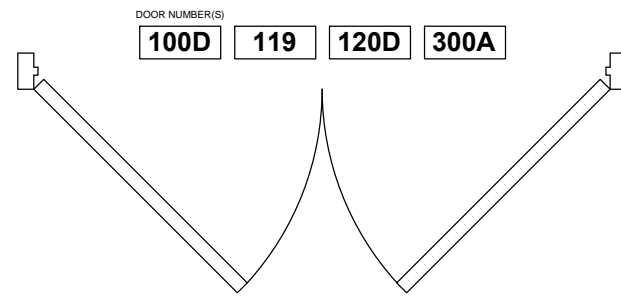
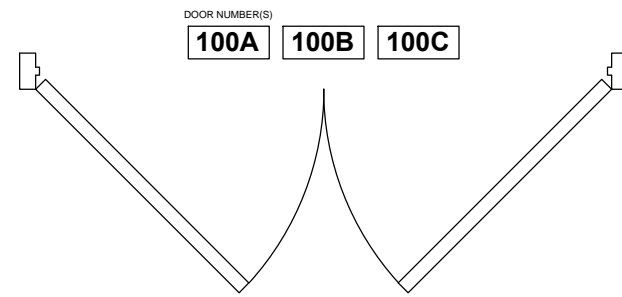
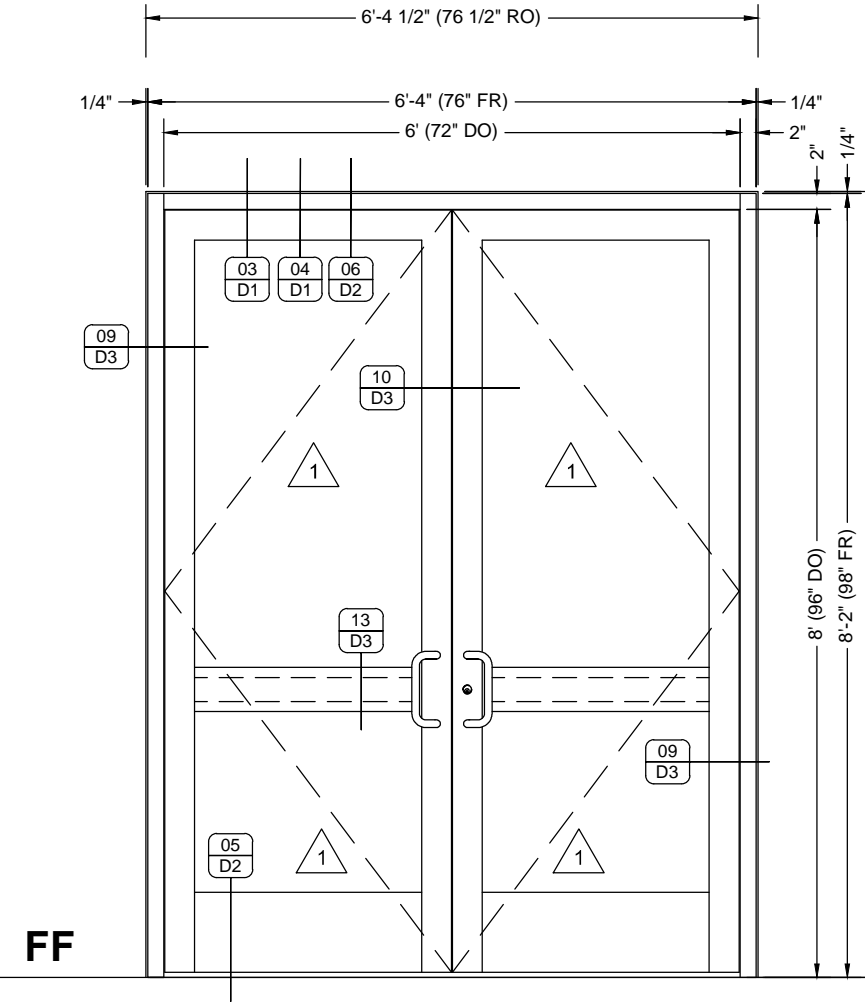
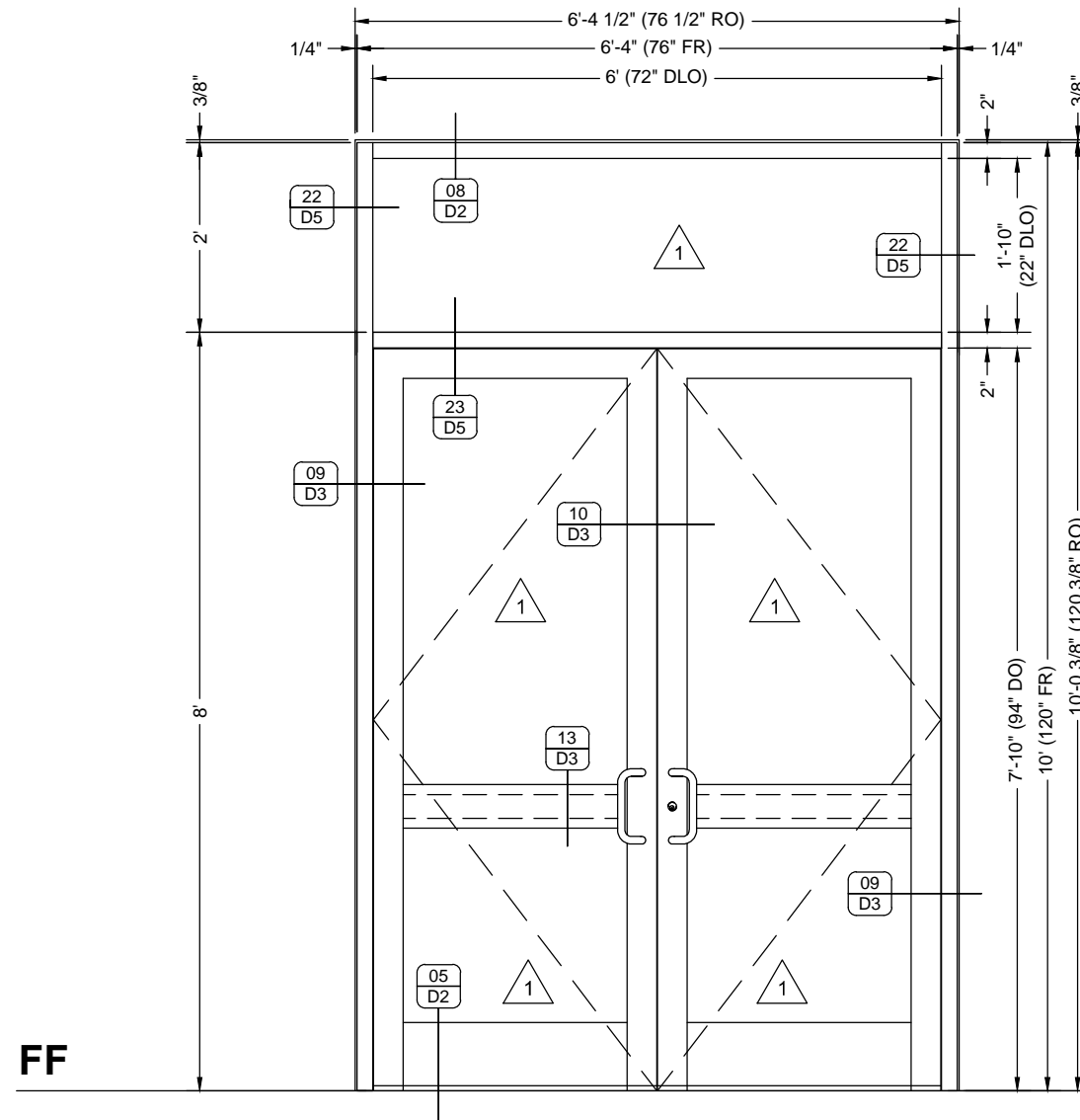
PROJECT: FRIAR AG SHOW BARN, CUERO  
**NEW BUILDING**  
 ARCHITECT: TSC ARCHITECTS  
 (830) 672-7801  
 PROJECT: WEAVER & JONES  
 (361) 277-9680

PROJECT NO. <b>SFG-2003-02</b>	
DRAWN BY <b>fp</b>	DATE <b>08-07-2020</b>
SCALE <b>NTS</b>	
DRAWING <b>ELEVATIONS</b>	
SHEET <b>E3</b>	

**NOTE:** ALL OPENING SIZES TO BE FIELD VERIFIED.

**DOOR HARDWARE:**

- 12 Pemco Continuous Hinge C-FM-95-SLI-HD1 95" Clear Gear Inset
- 6 First Choice CRV Panic - Active Leaf 3690 Surface Mounted
- 6 First Choice CVR Panic -Inactive Leaf 3690 Surface Mounted
- 12 Falcon Surface Closer SC60A With regular arm and drop plate
- 12 OBE Pull Handles 12368 PH-21 TB Exterior Pull for Panic Doors 8-1/2"
- 6 OBE Door Sweep V-231 Weatherstrip 42 in Clear
- 6 OBE Threshold TH-43
- 6 Door and door frame seals provided by Oldcastle



**ELEVATION**

QUANTITY: 03  
 SCALE: 1/2" = 1'-0"  
 ARCH REF: 1/A1.2.0  
 ASI#2  
 4/A1.5.0  
 WT/A1.9.0  
 D5/A1.9.0  
 DOOR NUMBER(S): N/A

**A** **ENTRANCE W/TRANSOM**  
 OLDCASTLE MSD-375 MEDIUM STILE ENTRANCE  
 ON FG-3000 ALUMINUM STOREFRONT

**ELEVATION**

QUANTITY: 04  
 SCALE: 1/2" = 1'-0"  
 ARCH REF: 1/A1.2.0  
 3/A1.5.0  
 4/A1.5.0  
 D5/A1.9.0

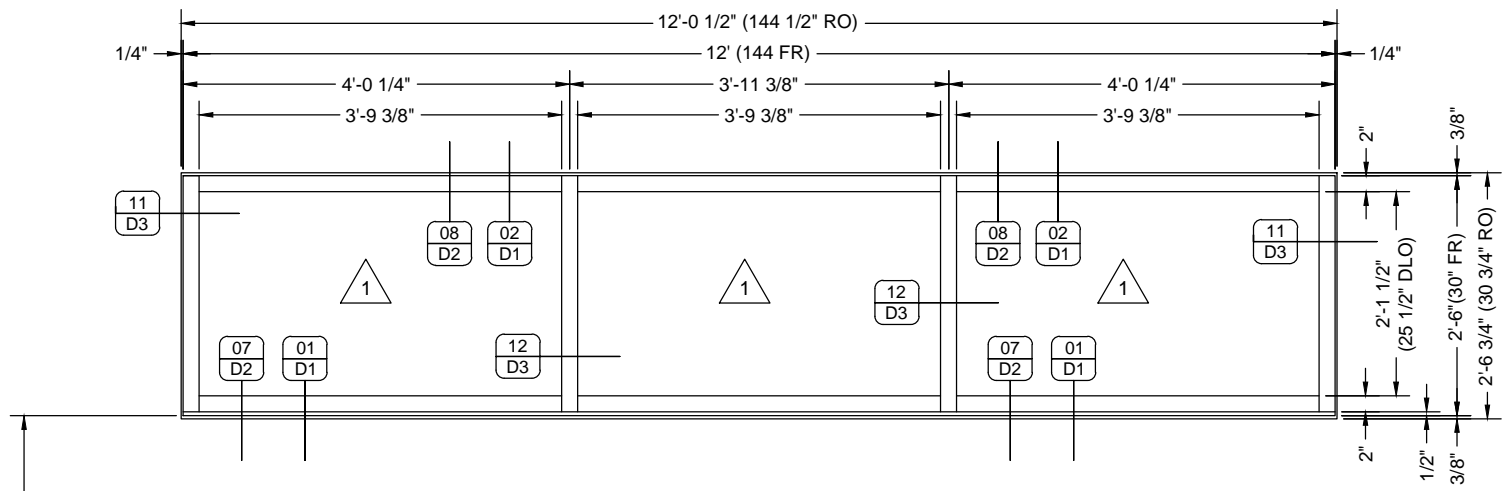
**D5** **ENTRANCE DOORS**  
 OLDCASTLE MSD-375 MEDIUM STILE ENTRANCE  
 ON OLDCASTLE FG-300 STOREFRONT FRAMING

NO.	DATE	SUB	BY	DESCRIPTION
3	08/07/2020	fp		Revision to Include Archited's Supplementary Instructions (ASI) #2
2	07/26/2020	fp		Revision to Include Addendum "B"
1	06/26/2020	fp		First Submittal

**SIX FLAGS GLASS**  
 108 E AIRLINE RD VICTORIA, TX 77901  
 (W) 361-573-9612 (F) 361-573-2334

PROJECT: FRIAR AG SHOW BARN, CUERO  
**NEW BUILDING**  
 ARCHITECT: TSC ARCHITECTS  
 (830) 672-7801  
 PROJECT: WEAVER & JONES  
 (361) 277-8300

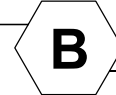
PROJECT NO.	SFG-2003-02
DRAWN BY	fp
DATE	08-07-2020
SCALE	1/2" = 1'-0"
DRAWING	ELEVATIONS
SHEET	E4



FF

**ELEVATION**

QUANTITY: 09  
 SCALE: 1/2" = 1'-0"  
 ARCH REF: 1/A1.2.0  
 1/A1.5.0  
 3/A1.5.0  
 4/A1.5.0  
 WT/A1.9.0  
 DOOR NUMBER(S): N/A



**ALUM. STOREFRONT**

OLDCASTLE FG-3000T ALUMINUM STOREFRONT

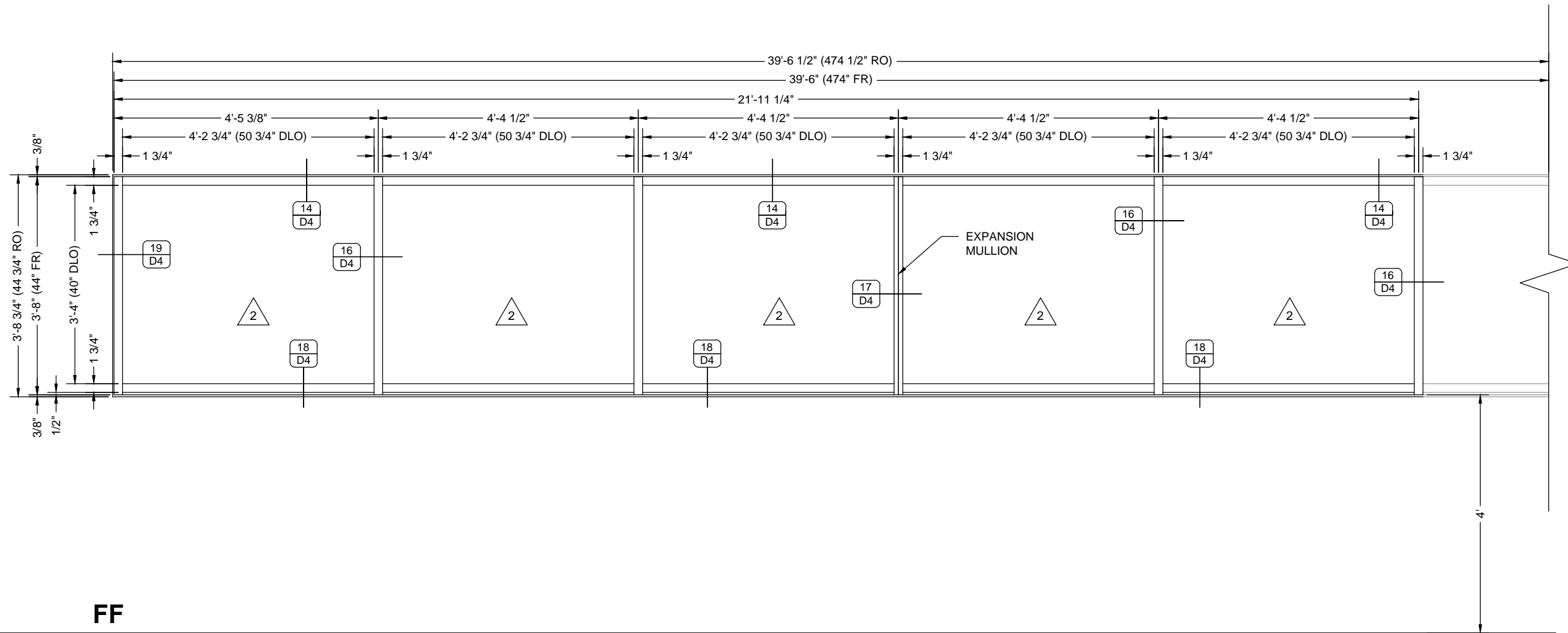
**NOTE:** ALL OPENING SIZES TO BE FIELD VERIFIED.

SUB	BY	DATE	DESCRIPTION
3	fp	08/07/2020	Revision to Include Archited's Supplementary Instructions (ASI) #2
2	fp	07/26/2020	Revision to Include Addendum "B"
1	fp	06/26/2020	First Submittal

**SIX FLAGS GLASS**  
 108 E AIRLINE RD VICTORIA, TX 77901  
 (W) 361-573-9612 (F) 361-573-2334

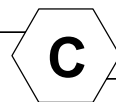
PROJECT: FRIAR AG SHOW BARN, CUERO  
**NEW BUILDING**  
 ARCHITECT: TSC ARCHITECTS  
 (830) 672-7801  
 PROJECT: WEAVER & JONES  
 (361) 277-9830

PROJECT NO. <b>SFG-2003-02</b>	
DRAWN BY <b>fp</b>	DATE <b>08-07-2020</b>
SCALE 1/2" = 1'-0"	
DRAWING <b>ELEVATIONS</b>	
SHEET <b>E5</b>	



**ELEVATION**

QUANTITY: 01  
 SCALE: 1/2" = 1'-0"  
 ARCH REF: 4/A3.1.0  
 C/A3.4.0  
 DOOR NUMBER(S): N/A



**INT STOREFRONT LEFT SIDE**

OLDCASTLE FG-2000 ALUMINUM STOREFRONT

**NOTE:** ALL OPENING SIZES TO BE FIELD VERIFIED.

NO.	DATE	DESCRIPTION
3	08/07/2020	Revision to include Architect's Supplementary Instructions (ASI) #2
2	07/26/2020	Revision to include Addendum "B"
1	06/26/2020	First Submittal

**SIX FLAGS GLASS**  
 108 E AIRLINE RD VICTORIA, TX 77901  
 (W) 361-573-9612 (F) 361-573-2334

PROJECT: FRIAR AG SHOW BARN, CUERO  
**NEW BUILDING**  
 ARCHITECT: TSC ARCHITECTS  
 (830) 672-7801  
 PROJECT: WEAVER & JONES  
 (361) 277-9830

PROJECT NO. SFG-2003-02

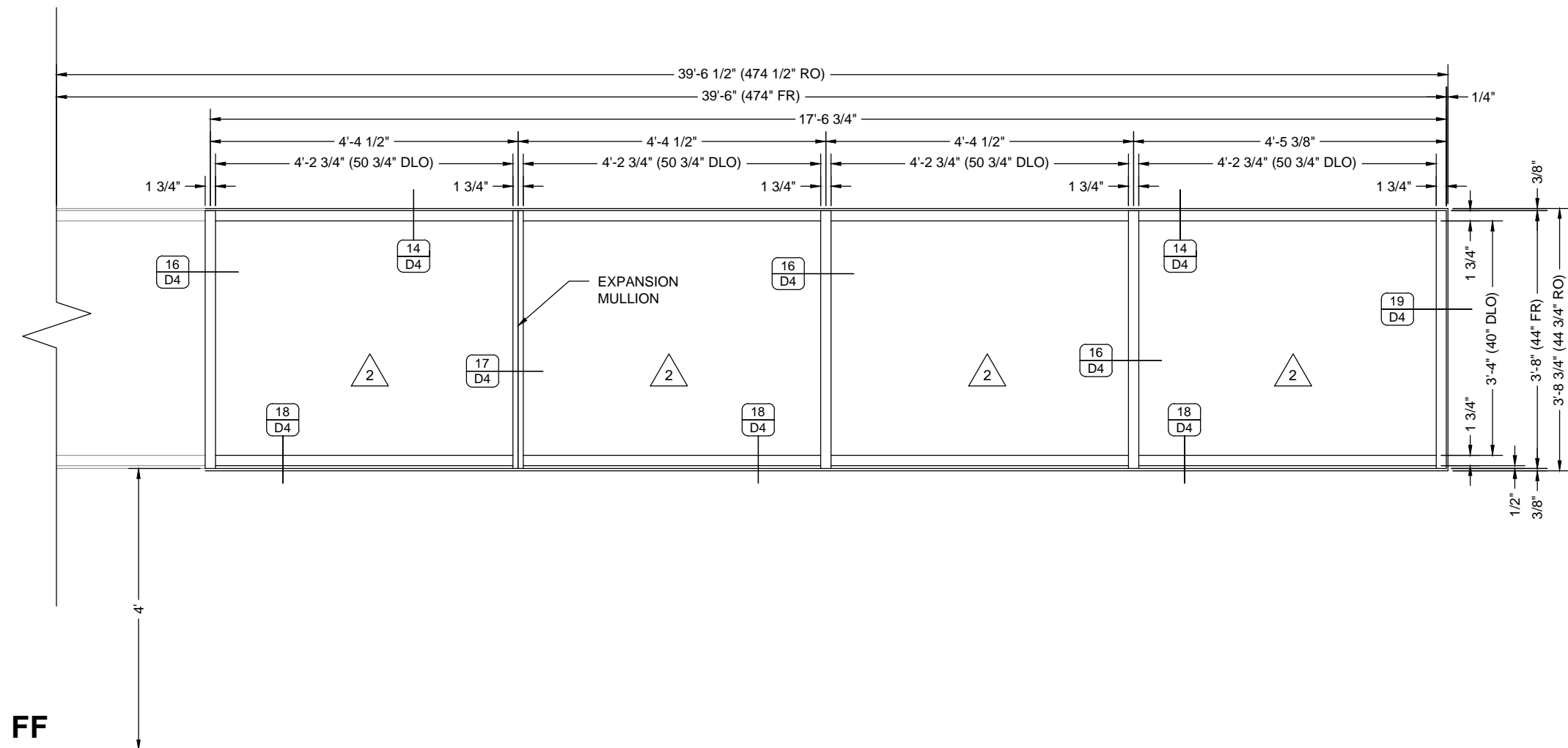
DRAWN BY: fp DATE: 08-07-2020

SCALE: 1/2" = 1'-0"

DRAWING: ELEVATIONS

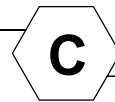
SHEET: E6





**ELEVATION**

QUANTITY: 01  
 SCALE: 1/2" = 1'-0"  
 ARCH REF: 4/A3.1.0  
 C/A3.4.0  
 DOOR NUMBER(S): N/A



**INT STOREFRONT RIGHT SIDE**

OLDCASTLE FG-2000 ALUMINUM STOREFRONT

**NOTE:** ALL OPENING SIZES TO BE FIELD VERIFIED.

NO.	DATE	DESCRIPTION
3	08/07/2020	Revision to include Architect's Supplementary Instructions (ASI) #2
2	07/26/2020	Revision to include Addendum "B"
1	06/26/2020	First Submittal

**SIX FLAGS GLASS**  
 108 E AIRLINE RD VICTORIA, TX 77901  
 (W) 361-573-9612 (F) 361-573-2334

PROJECT: FRIAR AG SHOW BARN, CUERO  
**NEW BUILDING**  
 ARCHITECT: TSC ARCHITECTS  
 (830) 672-7801  
 PROJECT: WEAVER & JONES  
 (361) 277-9830

PROJECT NO. SFG-2003-02

DRAWN BY: fp DATE: 08-07-2020

SCALE: 1/2" = 1'-0"

DRAWING: ELEVATIONS

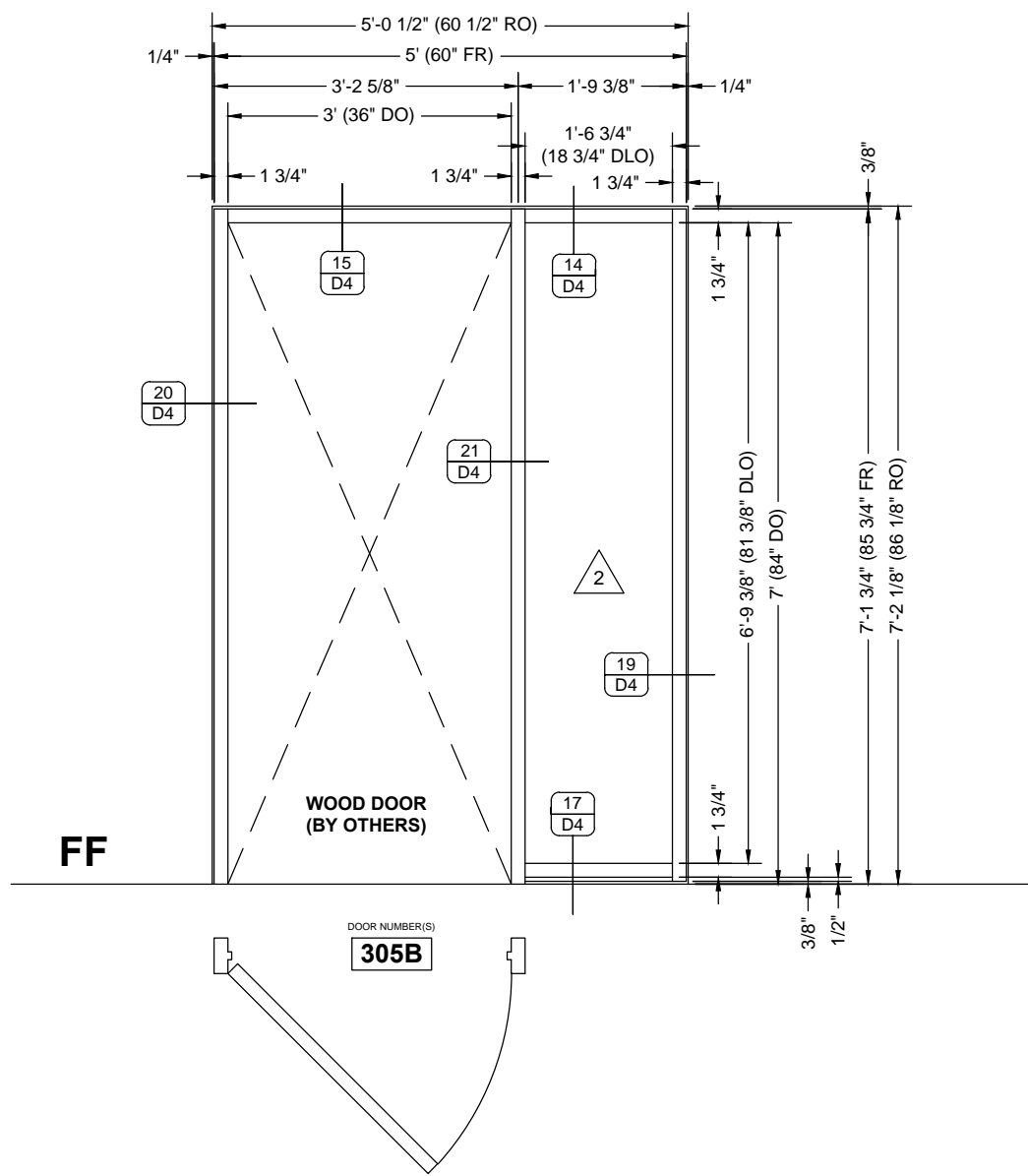
SHEET: E7

NO.	DATE	DESCRIPTION
3	08/07/2020	Revision to Include Architect's Supplementary Instructions (ASI) #2
2	07/28/2020	Revision to Include Addendum "B"
1	06/28/2020	First Submittal

**SIX FLAGS GLASS**  
 108 E AIRLINE RD VICTORIA, TX 77901  
 (W) 361-573-9612 (F) 361-573-2334

PROJECT: FRIAR AG SHOW BARN, CUERO  
**NEW BUILDING**  
 ARCHITECT: TSC ARCHITECTS  
 (830) 672-7801  
 PROJECT: WEAVER & JONES  
 (361) 277-9830

PROJECT NO.	SFG-2003-02
DRAWN BY	fp
DATE	08-07-2020
SCALE	1/2" = 1'-0"
DRAWING	ELEVATIONS
SHEET	E8



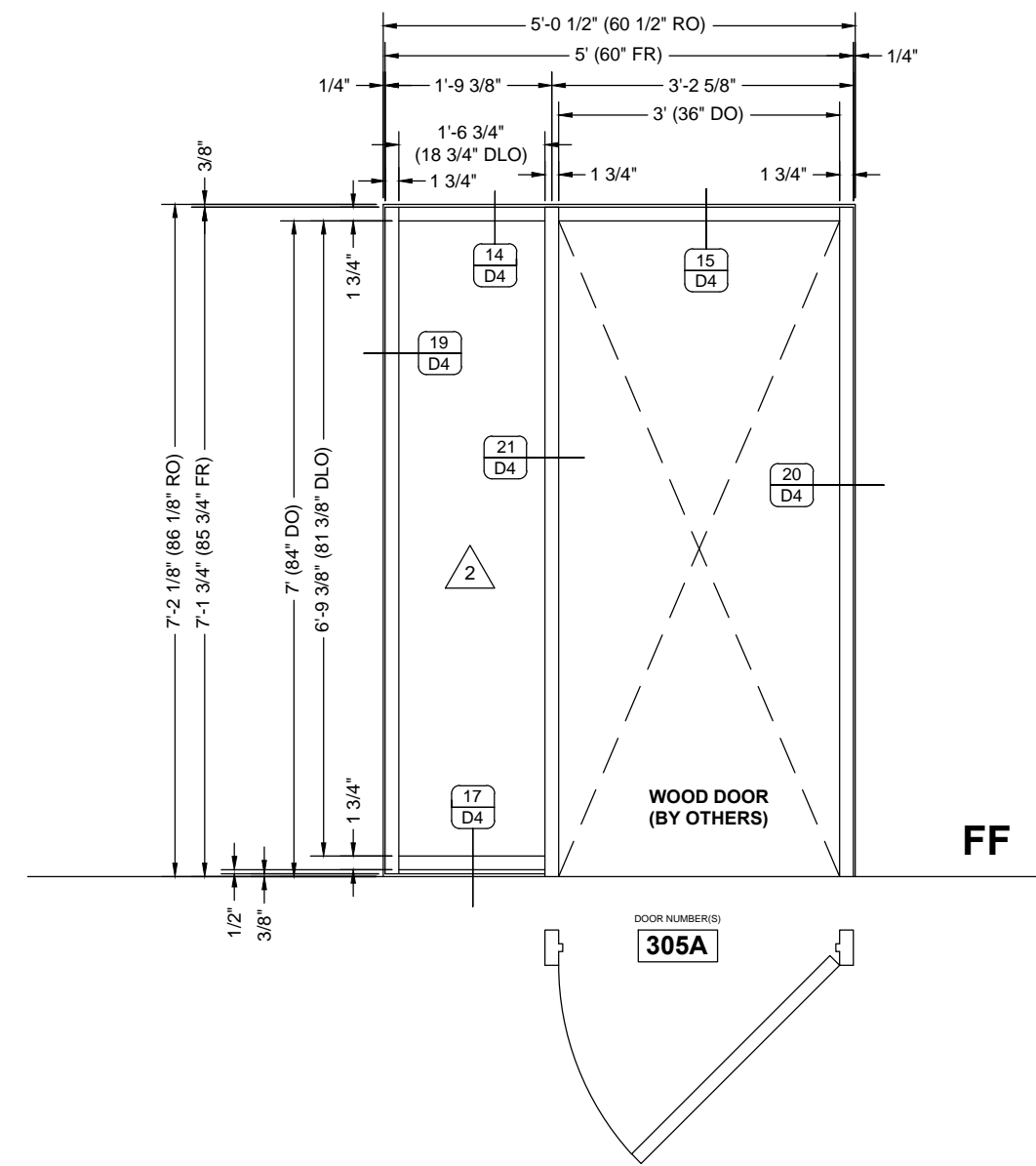
**ELEVATION**

QUANTITY: 01  
 SCALE: 1/2" = 1'-0"  
 ARCH REF: 4/A3.1.0  
 DS/A3.1.0  
 D8/A3.4.0  
 DOOR #: 305B

**D8 ENTRANCE**

OLDCASTLE FG-2000 ALUMINUM  
 STOREFRONT FRAMING

**NOTE:** ALL OPENING SIZES TO BE FIELD VERIFIED.



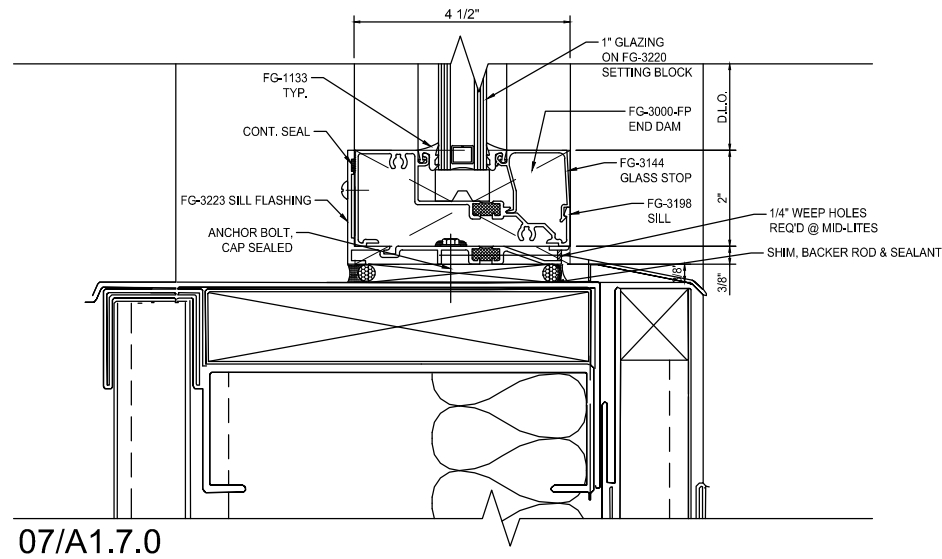
**ELEVATION**

QUANTITY: 01  
 SCALE: 1/2" = 1'-0"  
 ARCH REF: 4/A3.1.0  
 DS/A3.1.0  
 D8/A3.4.0  
 DOOR #: 305A

**D8 ENTRANCE**

OLDCASTLE FG-2000 ALUMINUM  
 STOREFRONT FRAMING

**NOTE:** ALL OPENING SIZES TO BE FIELD VERIFIED.



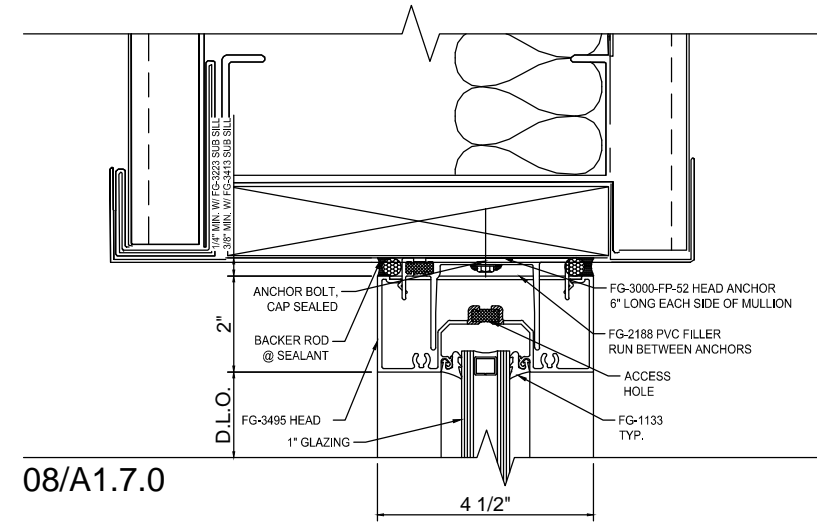
**DETAIL**

SCALE: 3" = 1'-0"  
 ARCH REF: 1/A1.2.0  
 7/A1.6.0  
 2/A1.7.4  
 7/A1.7.0  
 ELEVATION: B

**01**

**SILL**

OLDCASTLE FG3000T THERMAL ALUMINUM STOREFRONT FRAME



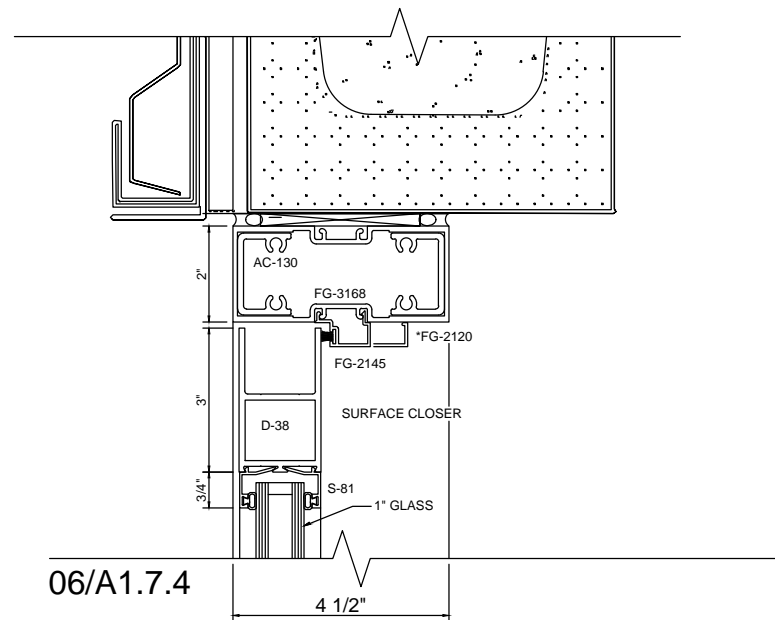
**DETAIL**

SCALE: 3" = 1'-0"  
 ARCH REF: 1/A1.2.0  
 7/A1.6.0  
 2/A1.7.4  
 8/A1.7.0  
 ELEVATION: B

**02**

**HEAD**

OLDCASTLE FG3000T THERMAL ALUMINUM STOREFRONT FRAME



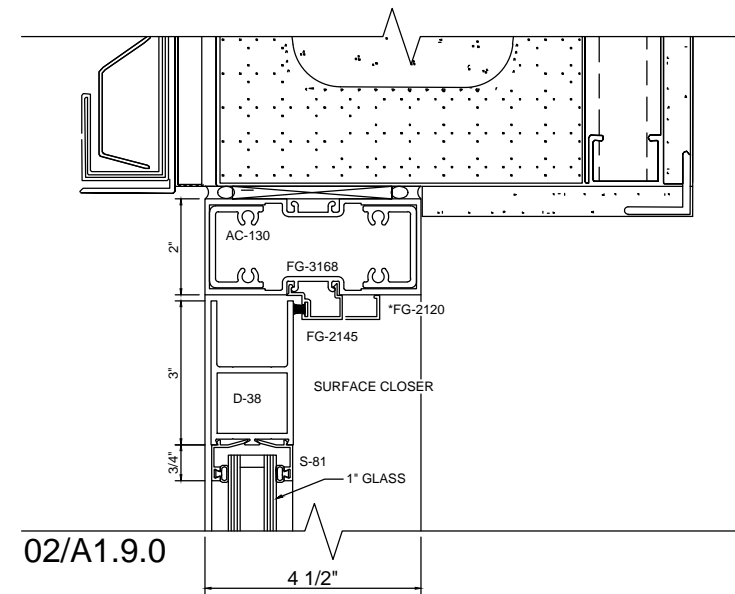
**DETAIL**

SCALE: 3" = 1'-0"  
 ARCH REF: 1/A1.2.0  
 8/A1.7.4  
 6/A1.7.4  
 DOOR: 100D

**03**

**DOOR HEADER**

OLDCASTLE MSD-375 MEDIUM STILE ON OLDCASTLE FG 3000 FRAMING



**DETAIL**

SCALE: 3" = 1'-0"  
 ARCH REF: 1/A1.2.0  
 1/A1.6.1  
 6/A1.6.1  
 2/A1.9.0  
 DOOR: 120D

**04**

**DOOR HEADER**

OLDCASTLE MSD-375 MEDIUM STILE ON OLDCASTLE FG 3000 FRAMING

NO.	DATE	BY	DESCRIPTION
3	08/07/2020	fp	Revision to Include Architect's Supplementary Instructions (ASI) #2
2	07/29/2020	fp	Revision to Include Addendum "B"
1	06/29/2020	fp	First Submittal

**SIX FLAGS GLASS**  
 108 E AIRLINE RD VICTORIA, TX 77901  
 (W) 361-573-9612 (F) 361-573-2334

PROJECT: FRIAR AG SHOW BARN, CUERO  
**NEW BUILDING**  
 ARCHITECT: TSC ARCHITECTS  
 (830) 672-7801  
 PROJECT: WEAVER & JONES  
 (801) 277-9500

PROJECT NO. <b>SFG-2003-02</b>	
DRAWN BY <b>fp</b>	DATE <b>08-07-2020</b>
SCALE <b>3" = 1'-0"</b>	
DRAWING <b>DETAILS</b>	
SHEET <b>D1</b>	